

# Auger Motor Replacement

For all PTG+/Junior/Tailgater/Century/Lonestar/Lil Tex  
Texas/XL/Select/COM models



## Tools required:

7/64 Allen wrench, 5/16 nut driver or wrench.



**WARNING!** Before installing or maintaining electrical parts in any Traeger Pellet Grill, disconnect power from the source. Hazardous voltage may be present which can shock, burn, or cause injury or death.

If you need any assistance while replacing parts, please contact Traeger Customer Service at 1-800-872-3437 between 5AM and 7PM Pacific, 7 days a week.

## Removal steps:

1. Unplug the cord from the electrical outlet.
2. Remove any guards and panels that will block access to the auger assembly. This will vary from model to model.
3. Unplug the plastic Molex connector located on the end of the auger motor from the connector on the controller with the red and white wires. See Figure 1.
4. It may be necessary to get the 6-32 socket screw into position to get the Allen wrench on it. This can be done by manually turning the fan blade on the auger motor in a clockwise direction until the head of the screw is in position.
5. Insert the Allen wrench into the 6-32 socket screw and the nut driver onto the 6-32 lock nut and remove the nut.
6. Push the screw out of the hole and remove the auger motor as shown in Figure 2.

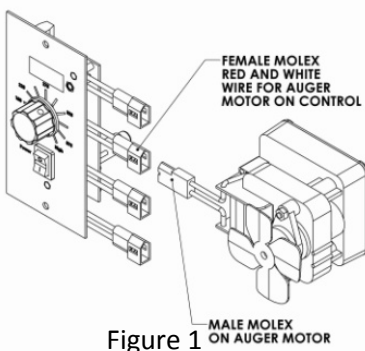


Figure 1

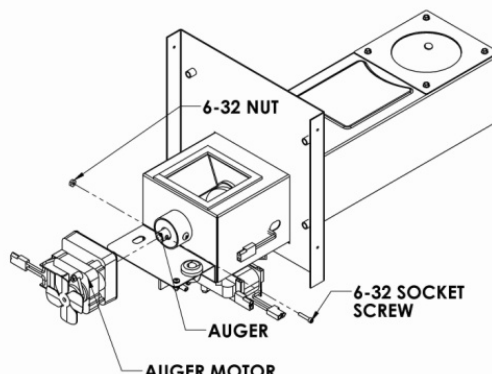
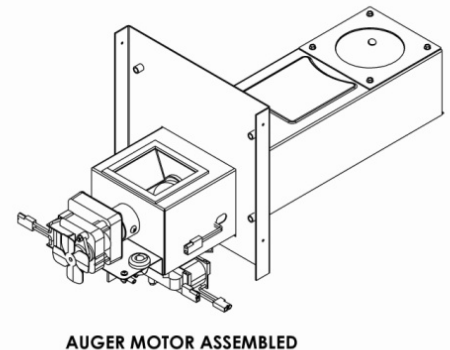


Figure 2



AUGER MOTOR ASSEMBLED

## Replacement steps:

1. When replacing the auger motor it may be necessary to align the hole in the shaft to enable you to get the screw into position.
2. Insert the auger motor shaft into the end of the tube on the auger making sure the holes align. Insert the 6-32 socket screw through the tube on the auger and through the shaft. Insert the nut onto 6-32 lock nut onto the 6-32 socket screw and turn until the nut is approximately 1/8" from the tube on the auger.
3. Use the wire ties to secure the wires so they do not interfere with any moving parts. Plug the motor back into the control.
4. Replace any guards or panels if needed.
5. Plug in the grill and set the control to Smoke to verify that auger motor is running.