



ASSEMBLY GUIDE

Please read this entire manual before installation and use of this pellet fuel-burning appliance. Failure to follow these instructions could result in property damage, bodily injury, or even death. Contact your local building or fire officials about restrictions and installation inspection requirements in your area.

A MAJOR CAUSE OF FIRES IS FAILURE TO MAINTAIN REQUIRED CLEARANCES (AIR SPACES) TO COMBUSTIBLE MATERIALS. IT IS OF UTMOST IMPORTANCE THAT THIS PRODUCT BE INSTALLED ONLY IN ACCORDANCE WITH THESE INSTRUCTIONS. SAVE THESE INSTRUCTIONS.

WARNING!

Many parts of the grill will become very hot during operation. Care must be taken to avoid burns, both during operation and afterwards, while the grill is still hot.

- Never leave the grill unattended when young children are present.
- Never move the grill when it is operating.
- Let the grill cool thoroughly before moving or attempting to transport.

TFB0IWLB

TFB85WLB

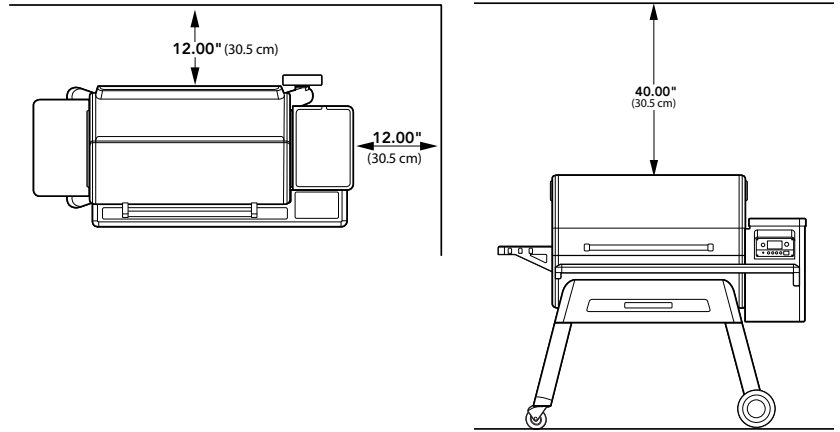
TFB0IWLB-A/E/G/H/L

TFB85WLB-A/E/GH//L

PLACING YOUR GRILL

WARNING!

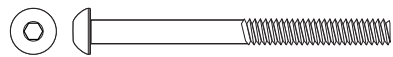
- When operating this grill under overhead combustibles, a **MINIMUM** of 40 inches (1 m) is required.
- When operating this grill, maintain a **MINIMUM** distance of 12 inches (30.5 cm) from the Grill to combustibles.



GRILL COMPONENTS

HARDWARE BAG CONTENTS

BAG A (LEGS)



A Bolt: 5/16"-18 socket head (8 pcs)



B Washer: 5/16" (16 pcs)

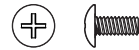


C Spring Washer: 5/16" (8 pcs)



D Hex Nut: 5/16"-18 (8 pcs)

BAG B (LEG BRACES)



E Bolt: 1/4"-20x3/5" (8 pcs)
(Actual bolt is black, not silver)

BAG C (SHELVES)

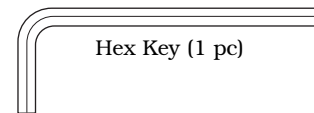


F Bolt: 1/4"-20x3/5" (12 pcs)

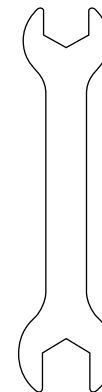


G Washer: 1/4" (12 pcs)

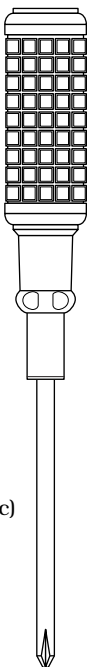
TOOLS INCLUDED



Hex Key (1 pc)



Wrench (2 pcs)

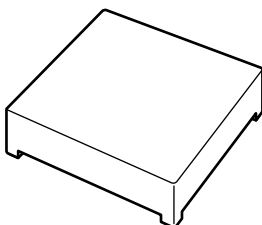


Screwdriver (1 pc)

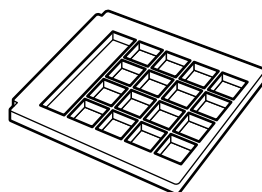
GREASE TRAP BAG CONTENTS

(Grease Trap bag located inside hardware bag)

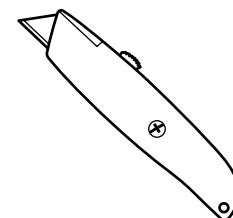
11 Black Cap for Grease Trap



12 Grease Chute Screen

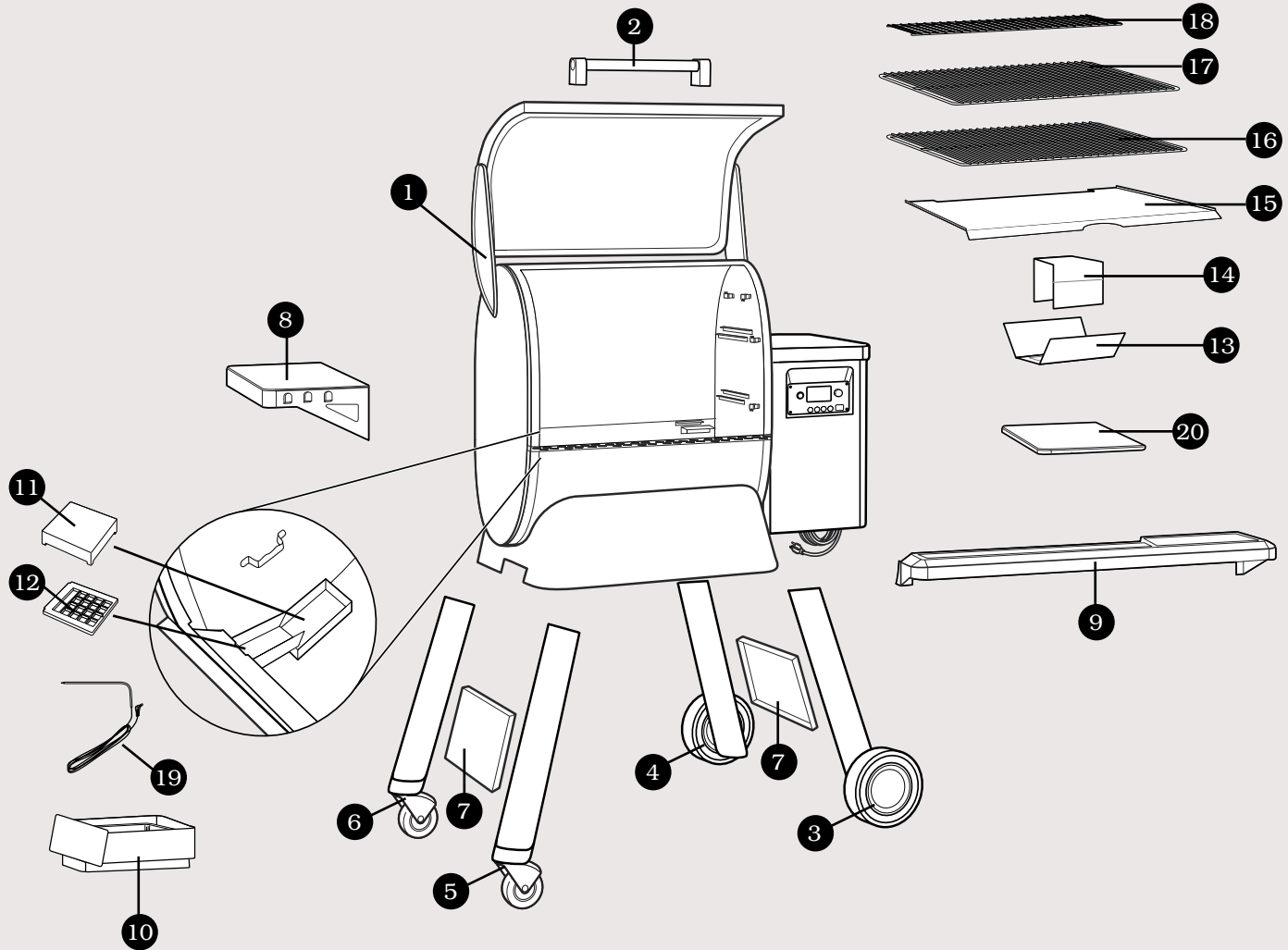


RECOMMENDED TOOLS (not included)



Box Cutter or Scissors

GRILL PARTS DIAGRAM*



*Model TFB85WLB shown

- | | | |
|-------------------------------|------------------------------|-------------------------|
| 1 Grill Body & Door | 8 Side Shelf | 15 Grease Drip Tray |
| 2 Grill Door Handle | 9 Front Shelf | 16 Bottom Cooking Grate |
| 3 Front All-Terrain Wheel Leg | 10 Grease Pan | 17 Middle Cooking Grate |
| 4 Rear All-Terrain Wheel Leg | 11 Black Cap for Grease Trap | 18 Top Cooking Grate |
| 5 Front Locking-Caster Leg | 12 Grease Chute Screen | 19 Meat Probe |
| 6 Rear Locking-Caster Leg | 13 Lower Heat Shield | 20 Cutting Board |
| 7 Leg Braces | 14 Upper Heat Shield | |

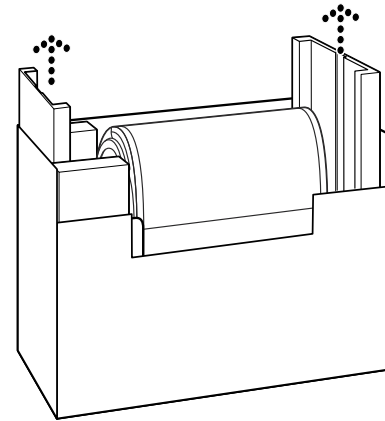
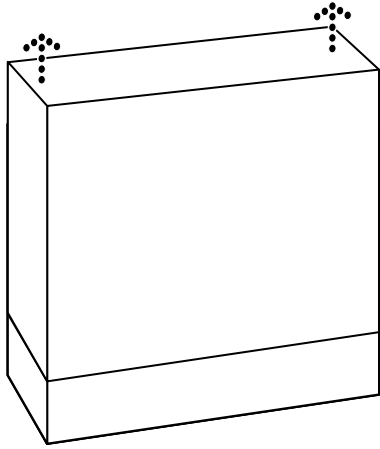
**GRAB THE 6-PACK, GET THE TOOLS, CUE THE RADIO —
IT'S ALMOST TRAEGER'ING TIME.**

READ ALL INSTRUCTIONS BEFORE INSTALLING AND USING THE GRILL

Traegering is more fun with friends! (No, really, you will need two people to lift the grill.)

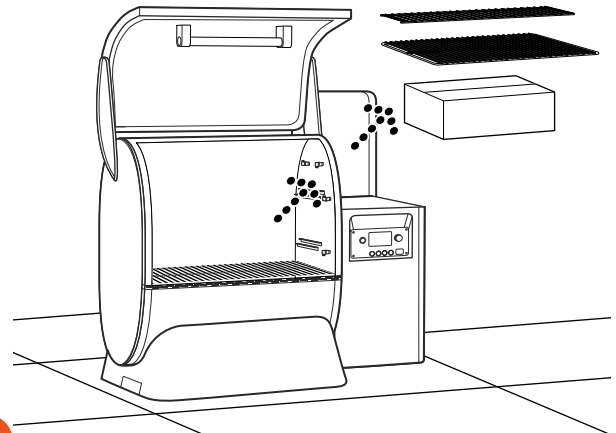
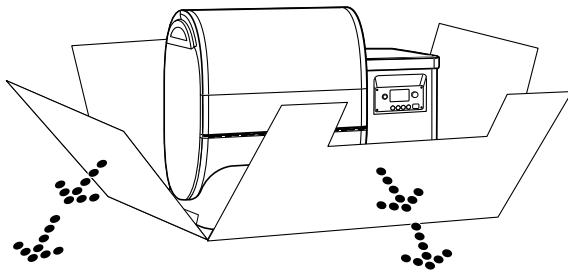
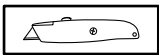
1 REMOVE GRILL PARTS AND PACKAGING

NOTE: You should assemble grill on a solid, flat surface, as you will need to lay it on its back during assembly.



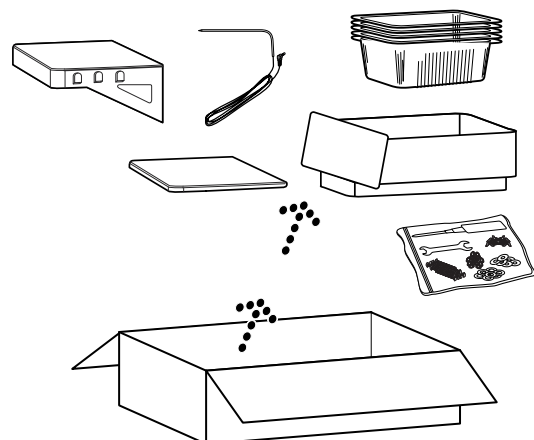
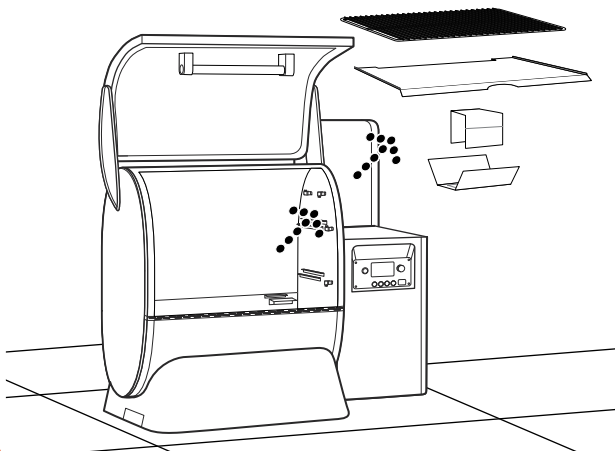
1

2



3

4



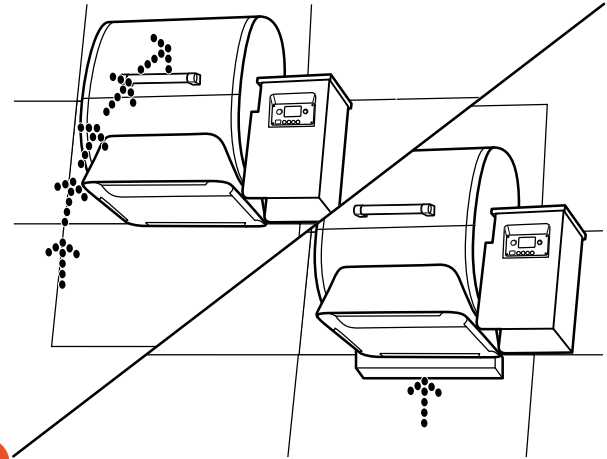
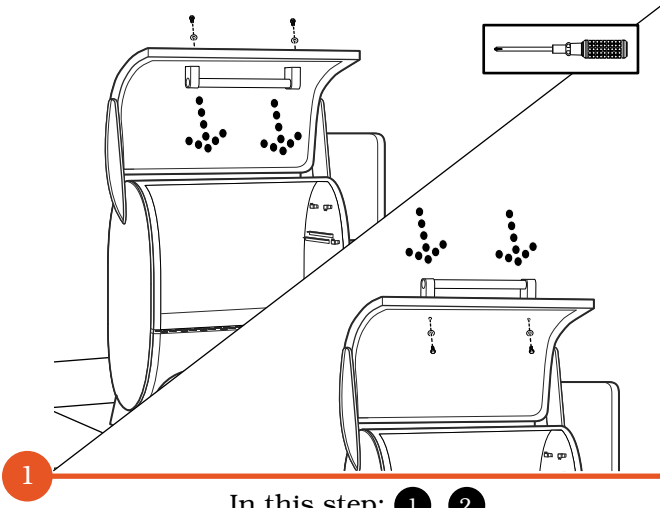
5

6

2 ASSEMBLE EXTERNAL COMPONENTS

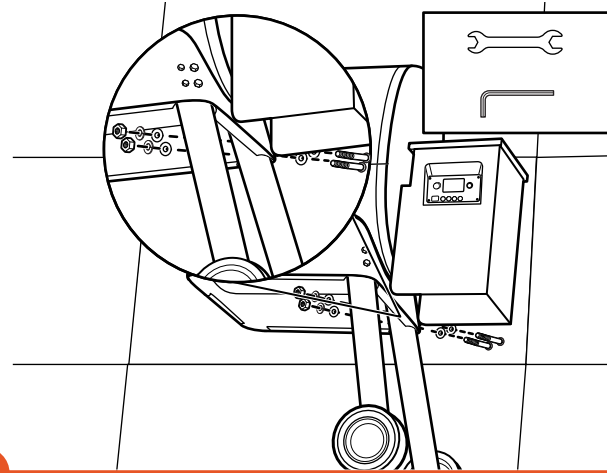
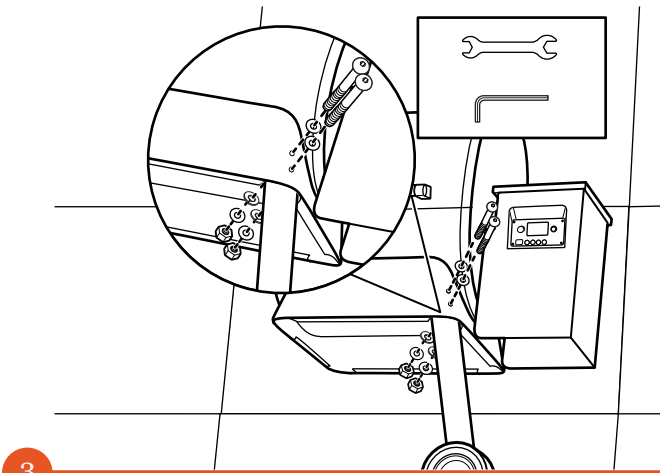
This will require TWO people.

NOTE: We recommend you use the foam packing to prop up the grill to make attaching the legs easier.



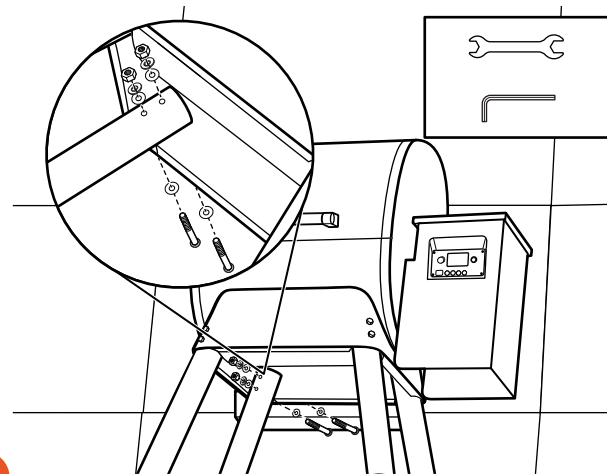
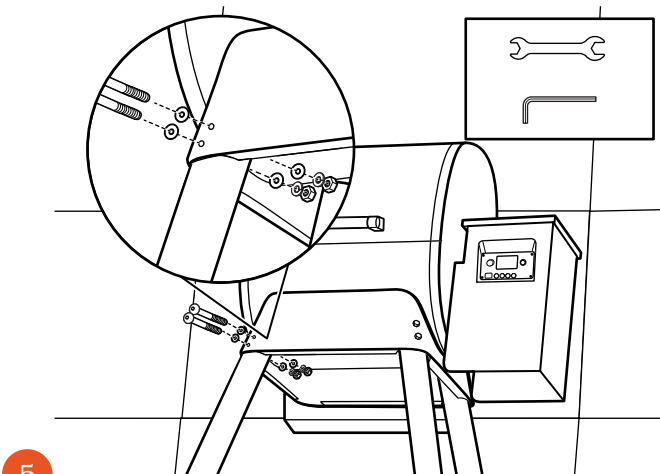
In this step: 1 2

NOTE: Do not overtighten legs (leave room for the leg braces).



In this step: 3 A x 2 B x 4 C x 2 D x 2

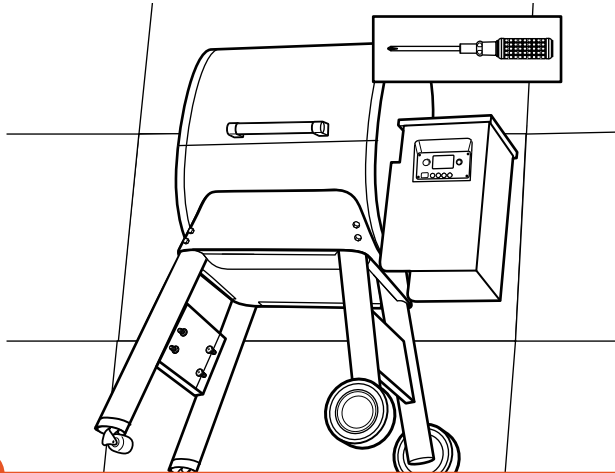
In this step: 4 A x 2 B x 4 C x 2 D x 2



In this step: 5 A x 2 B x 4 C x 2 D x 2

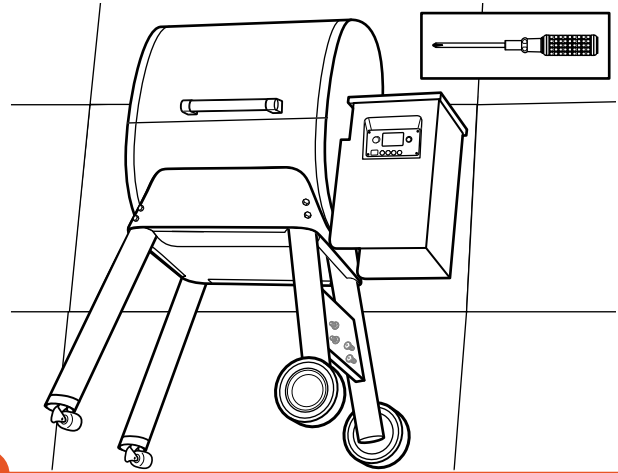
In this step: 6 A x 2 B x 4 C x 2 D x 2

NOTE: After leg braces are in place, be sure to tightly fasten all leg screws.



7

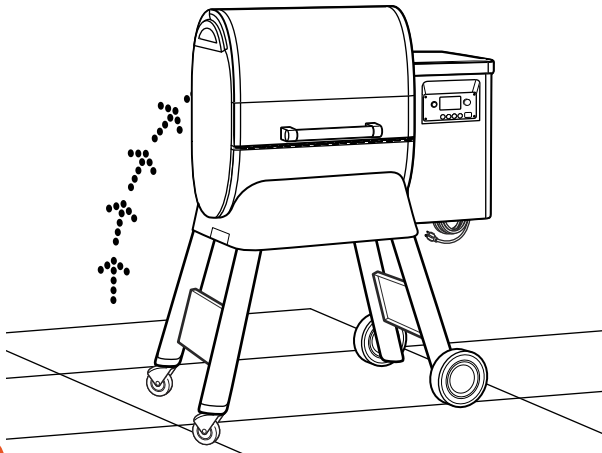
In this step: 7 E x 4



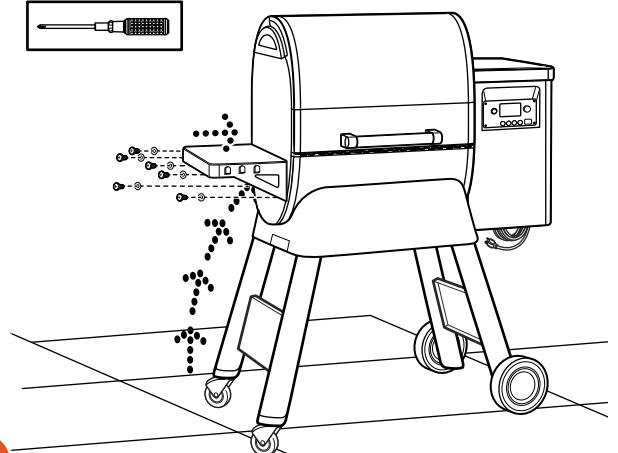
8

In this step: 7 E x 4

This will require TWO people.

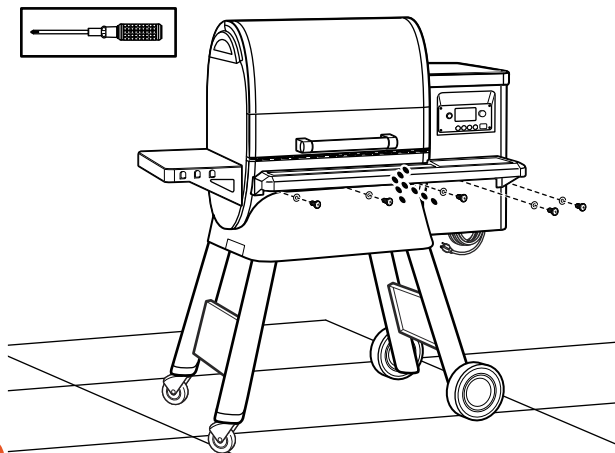


9



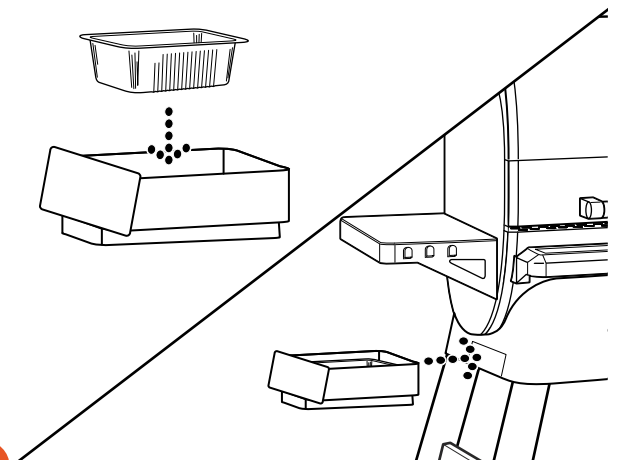
10

In this step: 8 F x 6 G x 6



11

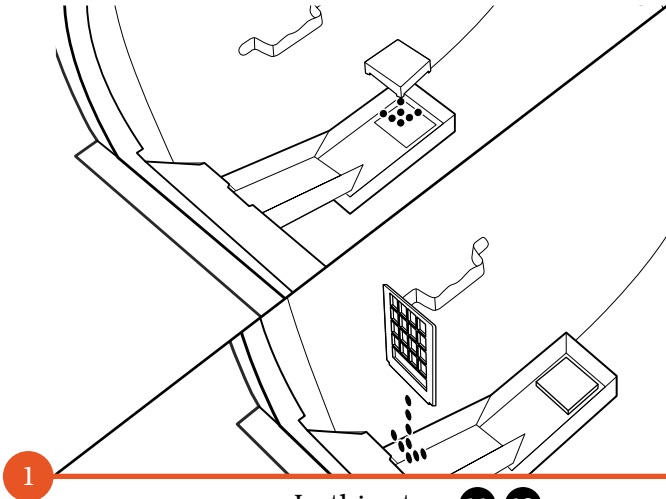
In this step: 9 F x 6 G x 6



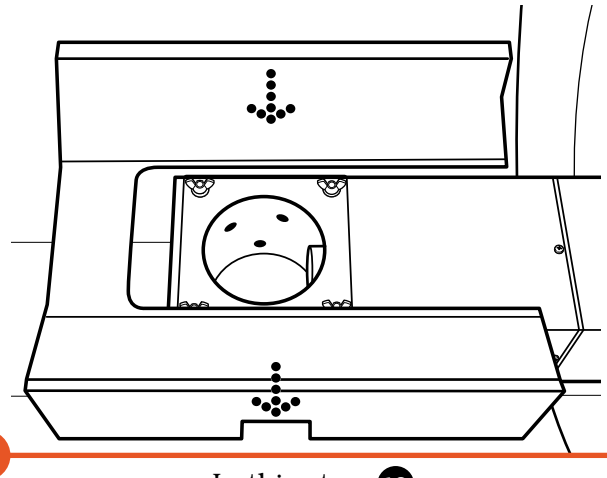
12

In this step: 10

3 ASSEMBLE INTERNAL COMPONENTS

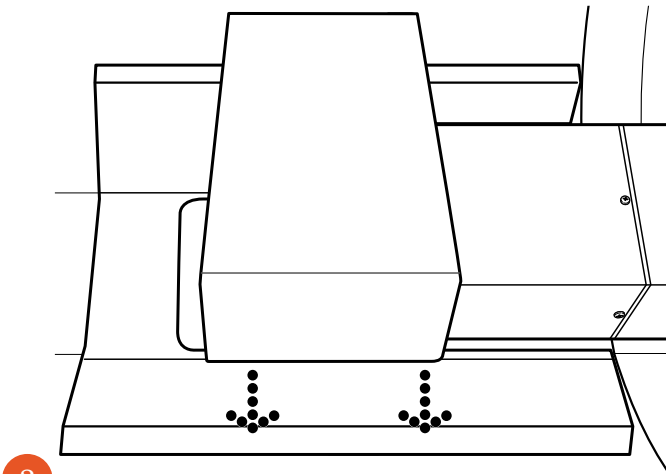


In this step: 11 12

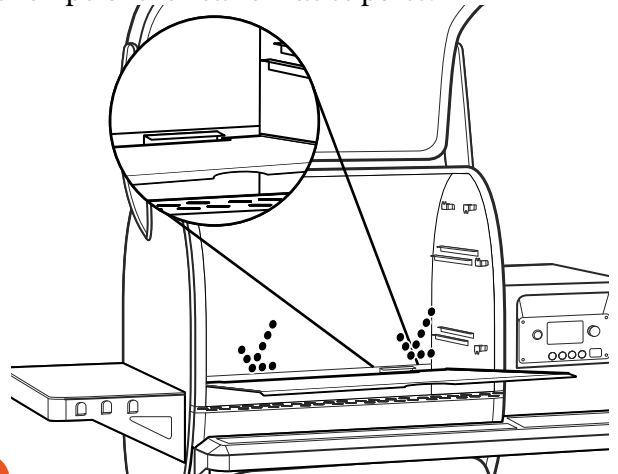


In this step: 13

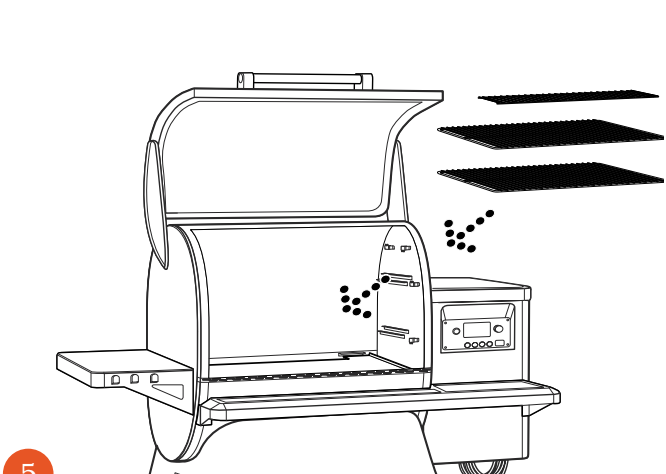
NOTE: Ensure that the drip tray sits between the two lips of the rear exhaust ports.



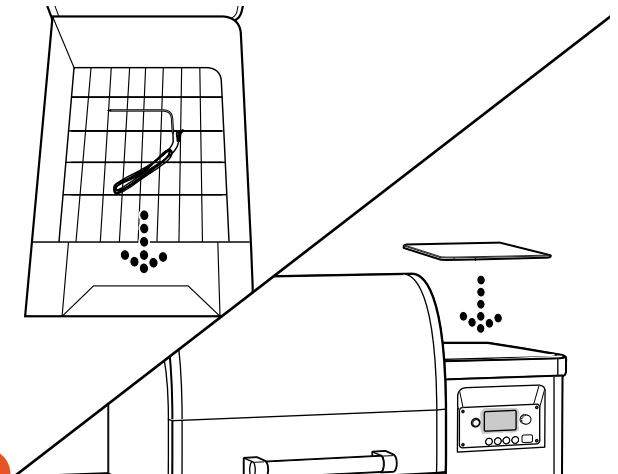
In this step: 14



In this step: 15



In this step: 16 17 18



In this step: 19 20

NOTE: Remember to remove protective plastic film from control panel before use.



LIVE FLAVOR FULL

Traeger Pellet Grills LLC
1215 E. Wilmington Ave
Salt Lake City, UT 84106

traegergrills.com

09/2016